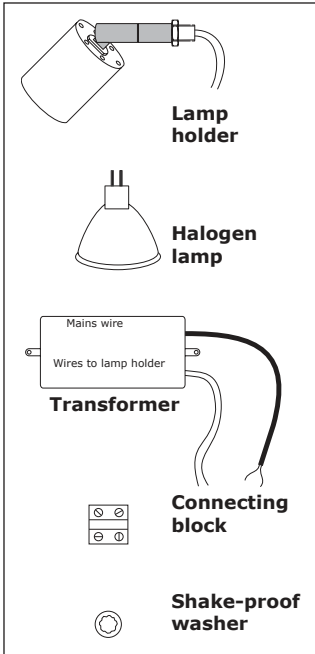


LIGHT KIT FITTING INSTRUCTIONS

Light Kit Components



Install the Sun Tunnel as set out in the installation instructions, but do not fit the ceiling diffuser. If the ceiling diffuser is already fitted, gently prise off the diffuser trim, twist the little turn buttons on the fixing ring and remove the diffuser.

Mark the position of a hole to be drilled 300mm (12") up from the base of the bell end) on the outside of the Sun Tunnel and drill a 10mm diameter hole through the Sun Tunnel.

Remove any burrs from the inside and outside of the Sun Tunnel taking care not to scratch the inside of the Sun Tunnel.

Pivot lamp holder through 45° and remove the locking nut.

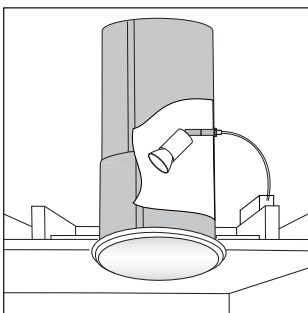
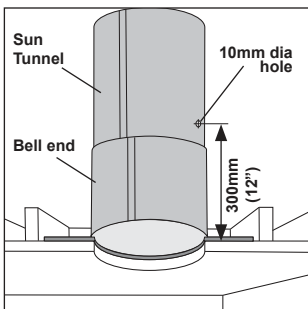
From the inside of the Sun Tunnel pass the wires and threaded end of the holder through the hole previously drilled in the Sun Tunnel.

Place the shake-proof washer over the threaded end of the lamp holder, thread the nut onto the lamp holder and finger tighten.

Angle lamp holder to point down towards the diffuser as shown and tighten locking nut. Push fit the lamp into the holder.

Using the connecting block connect the two wires from the lamp holder and the two wires from the transformer (not the mains brown and blue wires). The transformer can now be screwed to a rafter, if required.

Push the ceiling diffuser into the fixing ring. Twist the little turn buttons, which securely hold the diffuser in place. You can then clip the diffuser trim into place, making sure the lugs on the inside of the trim do not align with any of the screw position cut-outs on the fixing ring.



WIRING TO THE MAINS MUST BE CARRIED OUT BY A QUALIFIED ELECTRICIAN