

Assembly Instructions

Refurb Kits for upstands from
other manufacturers



Introduction

Compliance with the following instructions should result in optimal performance and a longer life. Please check the delivery to ensure that no damage occurred during transport to site and that there are no missing items. No liability can be accepted for damage caused by improper handling.

The refurb frame is designed to protect the roofing membrane from moisture and wind. Please ensure the membrane is installed and secured on the top edge of the upstand and fixed down.

Please ensure you have selected the right size, the nominal size specified throughout our website refers to the distance between the bottom edge of the upstand.

Safety

This installation manual describes the technique and procedure of Assembly. The site must be systematically checked by a health and safety personnel prior to work being carried out and relevant regulations should be adhered to.

Assembly Requirements

Before installation, the roof structure must be checked whether it is stable enough

Minimum requirement:

- On-site upstand must be easily accessible and safe to work on.

Tool for the refurb kit assembly:

- Set of Phillips Screwdrivers
- Cordless screwdriver/drill with Phillips Cross bits
- Pliers
- Hammer

Warning:

For rooflights larger than the nominal size 1200 x 1200mm 2 people are required for installation.

Maintenance and Care

Skylights must be checked once a year. Pay attention to the following:

- Visible damage to the dome, the frame or the roof membrane connection
- Check hinges and lubricate if required
- Check opener functionality (If installed).

The Rooflight should be thoroughly cleaned inside and out at least once a year.

Warm, clear water and a damp cloth is sufficient however if soiling is severe, use a PH neutral cleaner.

Delivered Items

Main Box

- 1 x roll of sealing tape

Small Bag 1

- 46 x self-drilling screws (1)

Large bag

- 1x Universal base plate (2)
- 2 x Rivets (3)
- 6 x Self Drilling Screws 4.8 x45 (1)
- 1 x Latch lock (4)
- 1 x M5 self-drilling screw (5)

Small Bag 2 (Bracket):

- 1 x bracket (6)
- 2 x M6x12 Screws (7)
- 1 x M6x35 Bolt (8)
- 1 x M6 hexagon nut (9)

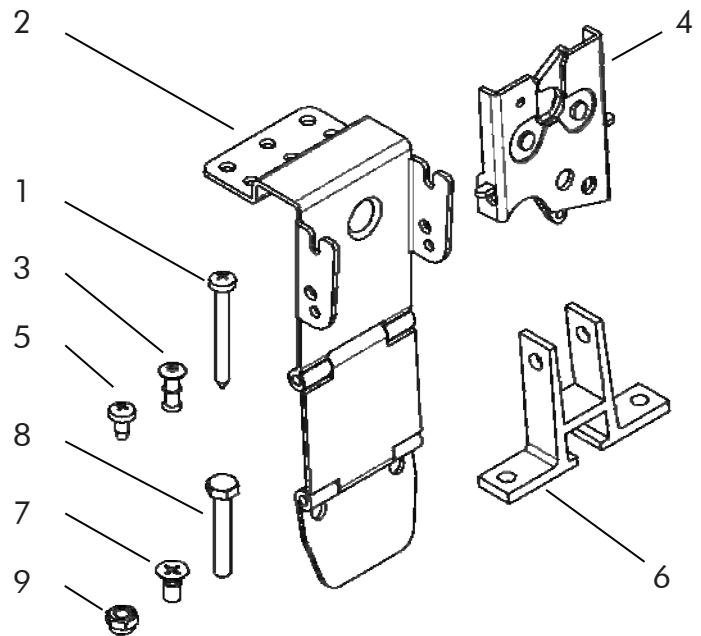


Figure 1. Package Contents

Assembly Instructions

Apply the sealing tape to the bottom of the refurb frame (11). Align the frame and in one motion, place it down onto the upstand (Figure 2).

WARNING:

The Sealing tape (11) is used to create a near air-tight seal between the refurb frame (10) and upstand (12).

THE USE OF THE SEALING TAPE IS VITAL

With the refurb frame attached (10):-
Use the self-drilling screws (1) in pre-drilled holes to fix frame and upstand securely in place.

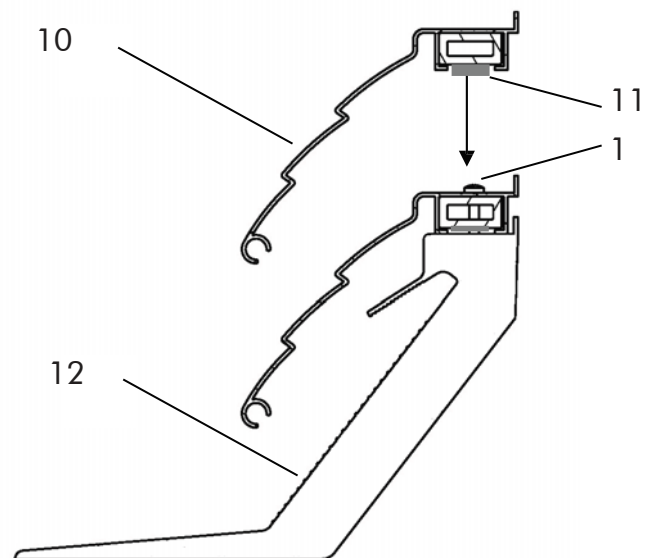


Figure 2. Refurb frame installation

Assembly Instructions

Assembly without daily ventilation:

Align the base plate (2) with the center of the refurb frame (10). Fasten with the self-drilling screws (1) into the drill lines.

Slide Latch lock (4) into the universal base plate (2) and with the self-drilling screw M5 (5) fix into place. (Figure 3).

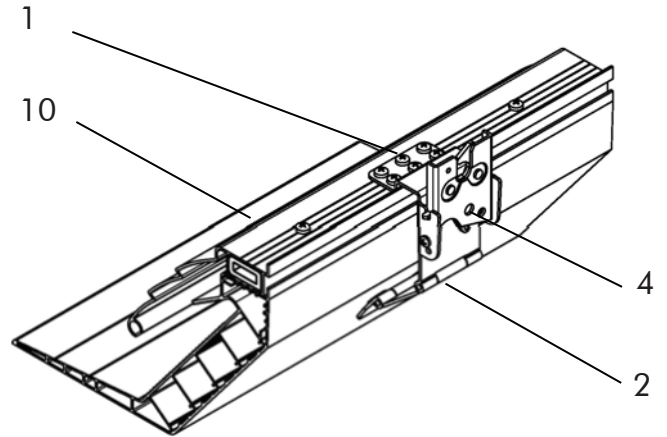


Figure 3. Latch Lock

Mounting with daily ventilation:

Align the base plate (2) with the center of the refurb frame (10). Fasten with the self-drilling screws (1) into the drill hole. Attach the supplied bracket (6) to electric opener and secure with M6 Bolt. (13) Slide opener into base plate (2) and secure with hinge pins (Fig. 4 +5).

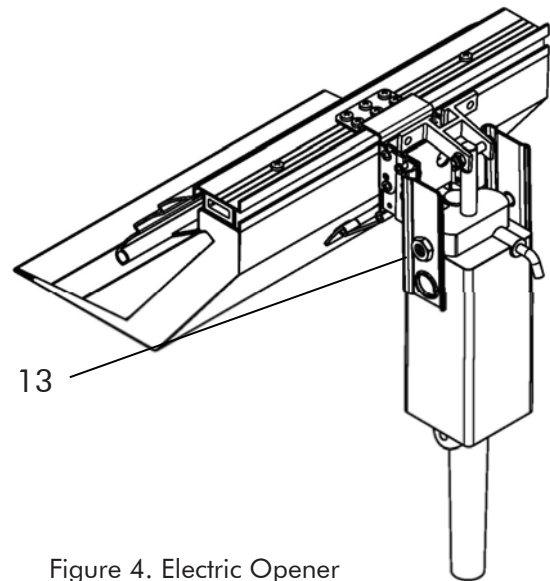


Figure 4. Electric Opener

Mounting with alternative electric openers:

See above.

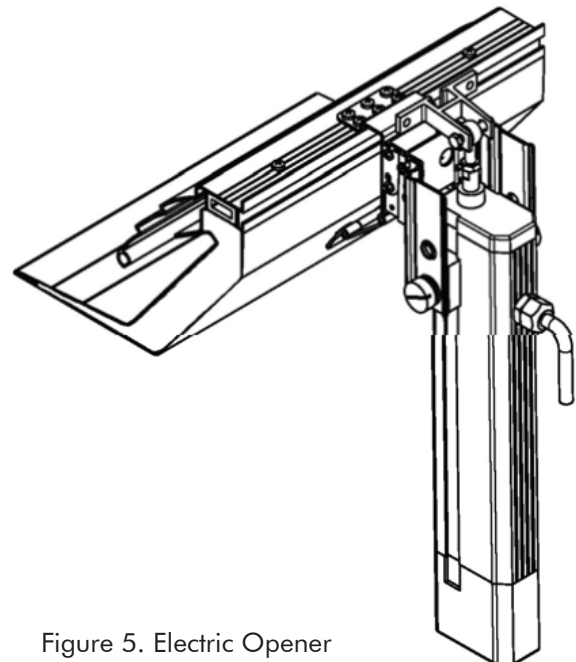


Figure 5. Electric Opener